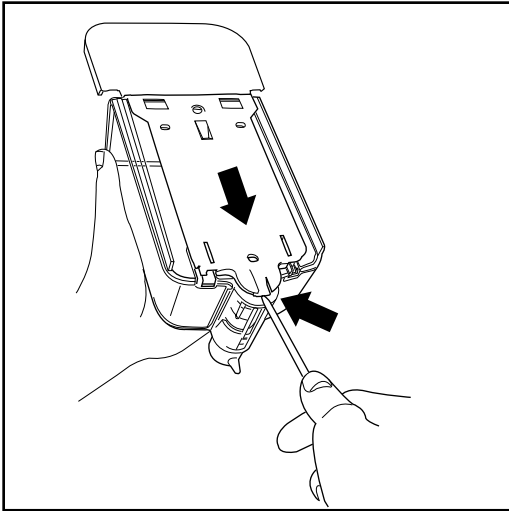
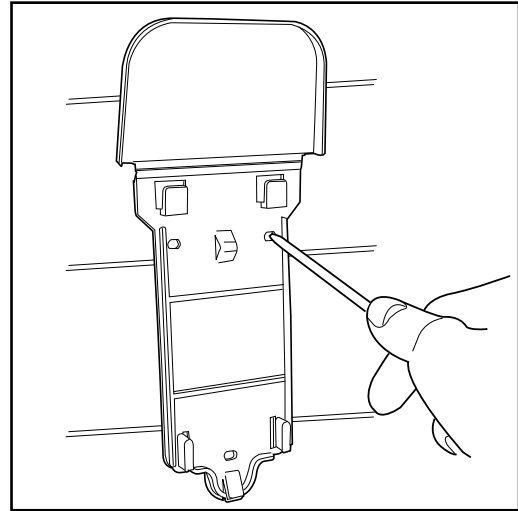


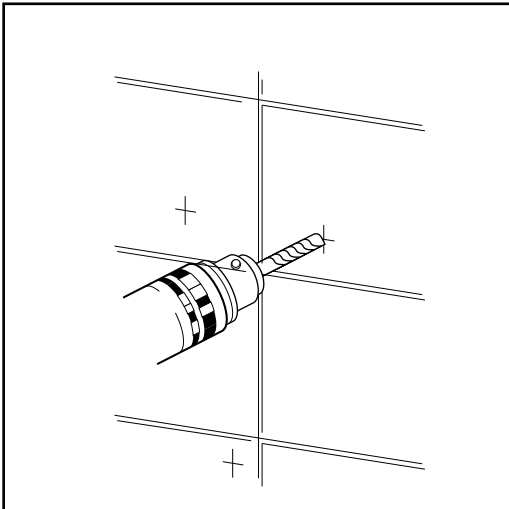
# MS 800 Installation Instructions



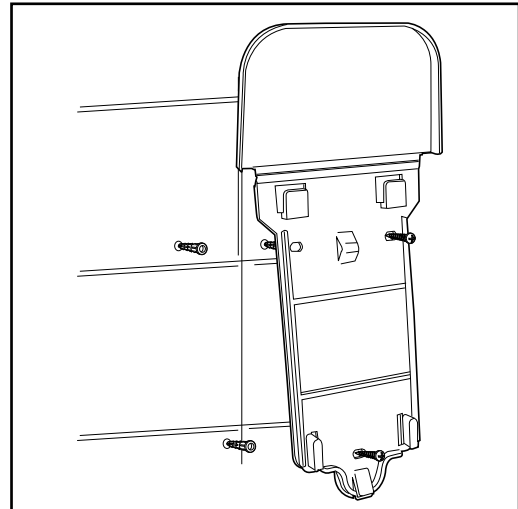
- ① Open top cover. Insert screw driver into position as shown and remove back panel by sliding downwards.



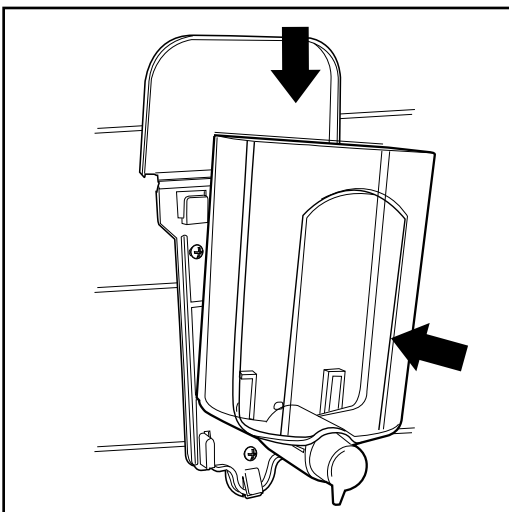
- ② Mark position of holes on walls to be drilled.



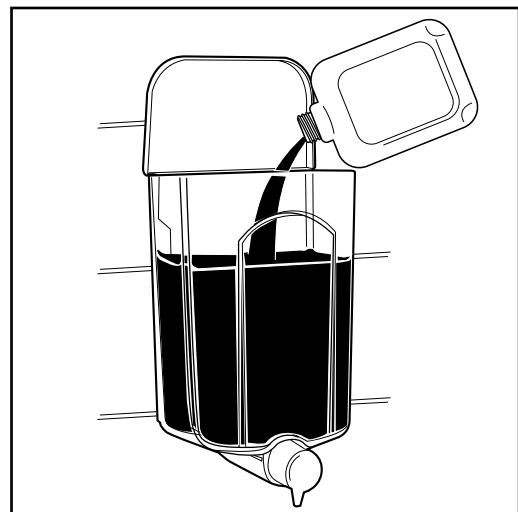
- ③ Drill  $\frac{1}{4}$ " diameter holes with approximately  $\frac{1}{4}$ " depth.



- ④ Insert plug provided and screw back panel onto wall.



- ⑤ Replace container by pushing inwards and downwards.



- ⑥ Pour liquid soap into container and close top cover.