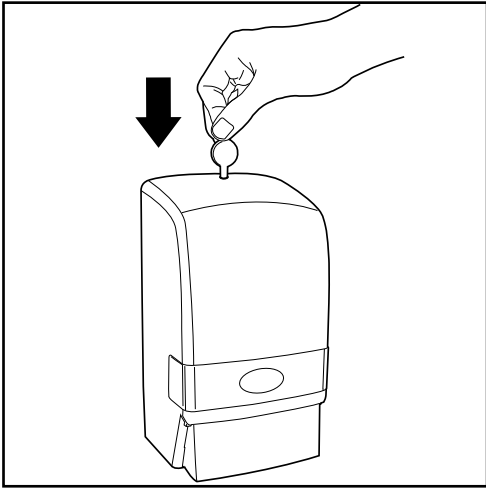
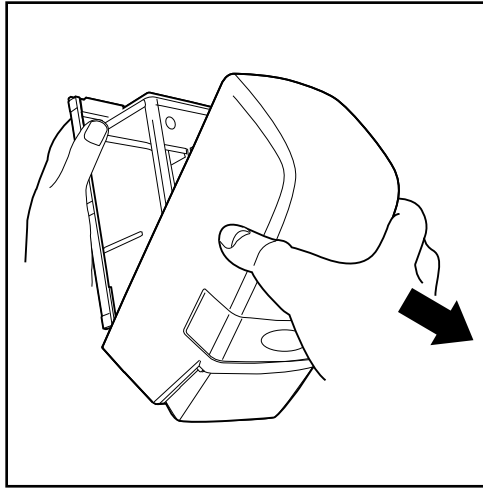


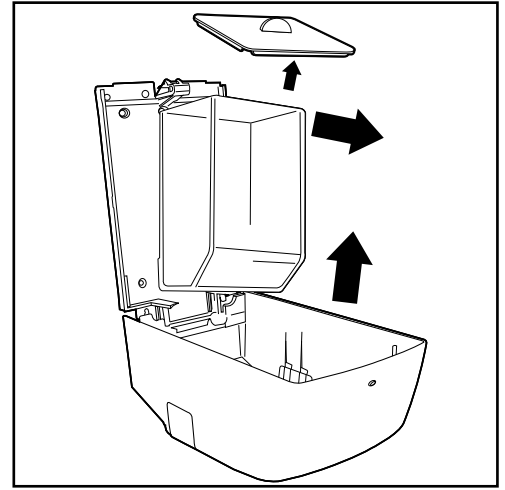
MS 1000 Soap Dispenser Installation Instructions



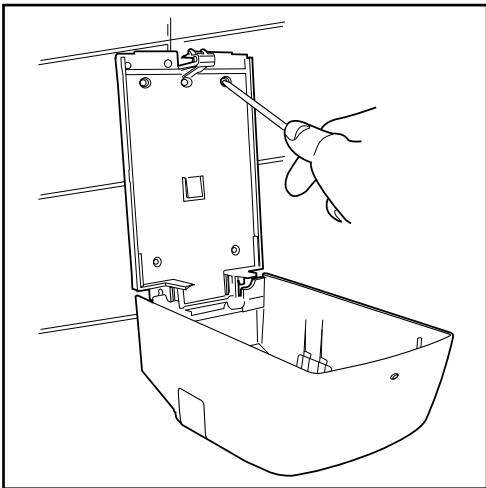
1 Insert key provided into keyhole and push until a 'click' sound is heard.



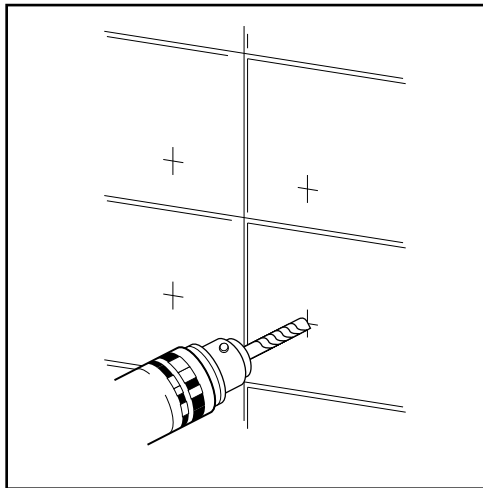
2 Pull out cover from base plate.



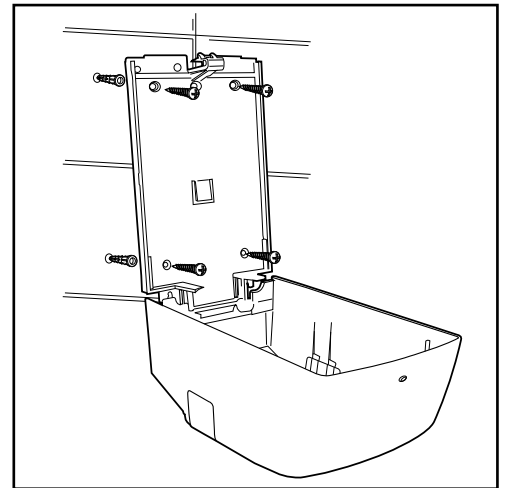
3 Remove lid. Take out container by sliding upwards and pulling outwards.



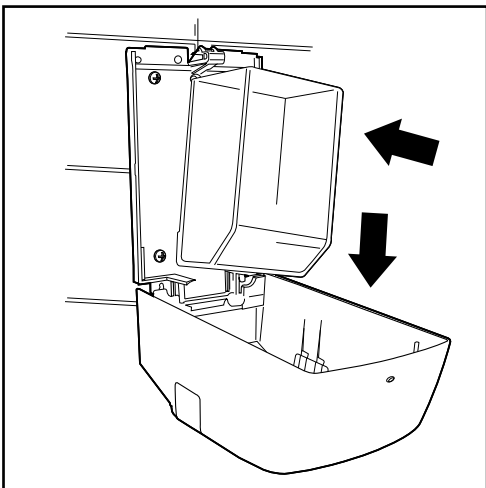
4 Mark position of holes on walls to be drilled.



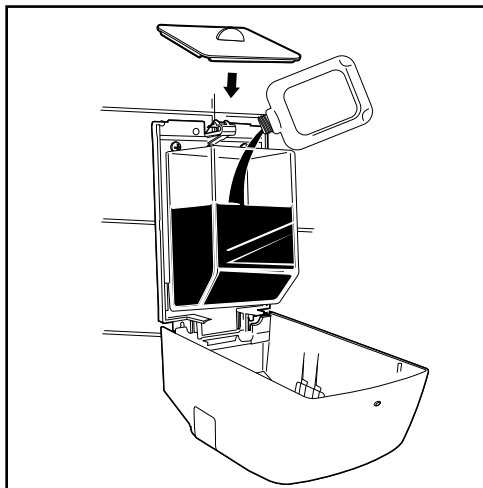
5 Drill $\frac{1}{4}$ " diameter holes with approximately $\frac{1}{4}$ " depth.



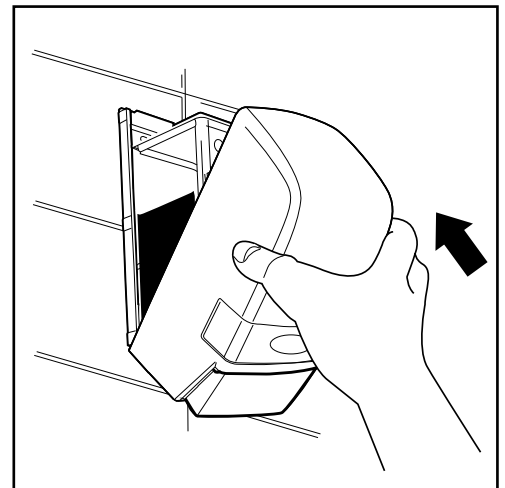
6 Insert plug provided and screw unit onto wall.



7 Replace container by pushing inwards and sliding downwards.



8 Pour liquid soap into container and close lid.



9 Replace cover by pushing inwards until a 'click' sound is heard.