

Hygienic Appliances

Malstar

SD 320 LCD Sanitizer Dispenser

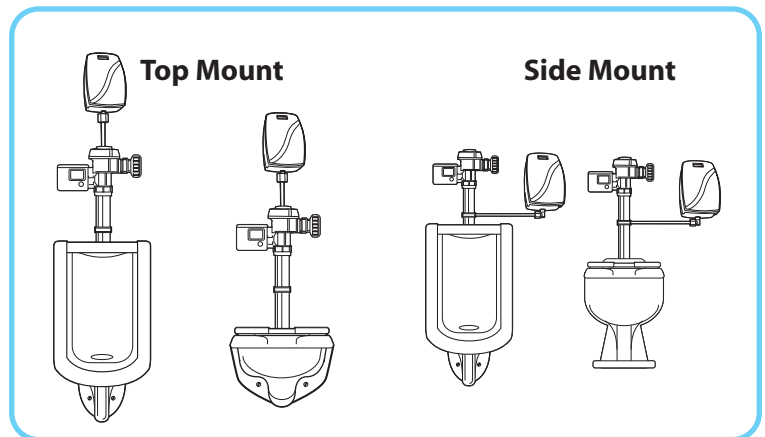


SD 320 LCD Sanitizer Dispenser

The programmable dispensing system ensuring toilets and urinals are always clean, deodorizes. While leave a fresh scent, hygiene.....restroom.

Standard Features

- * Programmable automatic dispense for concentrate SDR 320 cleaner.
- * Eliminates odors at source.
- * Prevents scaling.
- * Cleans continuously.
- * Dispenser interval set from 1 to 59 minutes for cost control usage.
- * Low battery, refill and service indicator for easy service and change refill.
- * Operate with 2 nos alkaline 'D' cell batteries last for one year or longer.
- * Lock mechanism for vandalism.
- * Dispense 3000 shots of 0.102ml liquid per refill of SD 320.

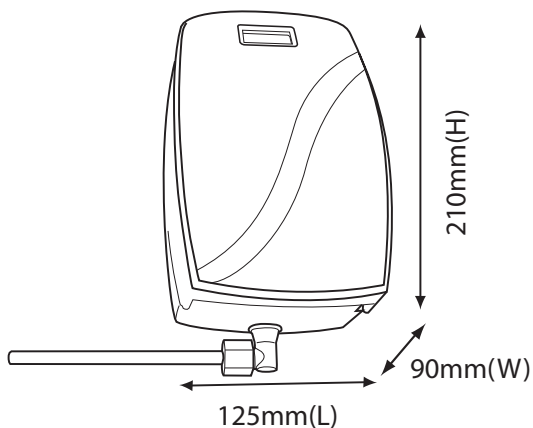


SDR 320 Auto Sanitizer Liquid With Enzyme refill

- * Fragrances are Exotic Lemon, Orange, Natural (Non Fragrances)

Content : 320ml

Packing : 24 nos per case



Specification

Item Code : SD320

Material : Made of ABS Plastic

Dimension : 125mm(L) x 90mm(W) x 210mm(H)

Colour : White

Packing : 30 nos per carton