

Hygienic Appliances

Malstar

MS 600 Sanitizer Dispenser



MS 600 Sanitizer Dispenser

MALSTAR Sanitising System boast of a controlled built-in system that enables the chemical contents to last 1000 flushes. Slim, compact yet classic. Attacks odors at the source.

Standard Features

- * Automatic Dispenser with self operation.
- * Mechanical design, use no battery or electricity.
- * Easy to maintain and service.
- * No washing, no urine stains, completely eliminates odors.
- * Compatible with any sized urinal and water closet for washrooms.
- * Clean drained pipe to free blockages and bacteria.
- * Suitable for use in any public restrooms in restaurants, hotels, schools, hospitals, factories etc.

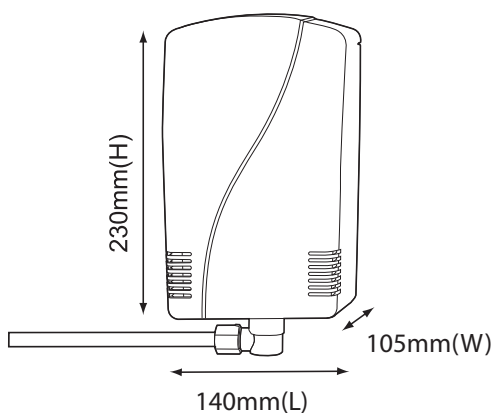


a) MS 600W Sanitizer Dispenser with Wick System

- * Consistently dripping chemical.
- * No water pressure required.
- * Predictable refill period / time.

b) MS 600P Sanitizer Dispenser with Pressure System

- * Water pressure is needed.
- * System work automatically at every flush.



Specification

Materials	: Made of ABS, PP and POM Plastic
Dimensions	: 140mm(L) x 105mm(W) x 230mm(H)
Capacity	: 450ml
Colour	: White
Packing	: 30 nos per carton